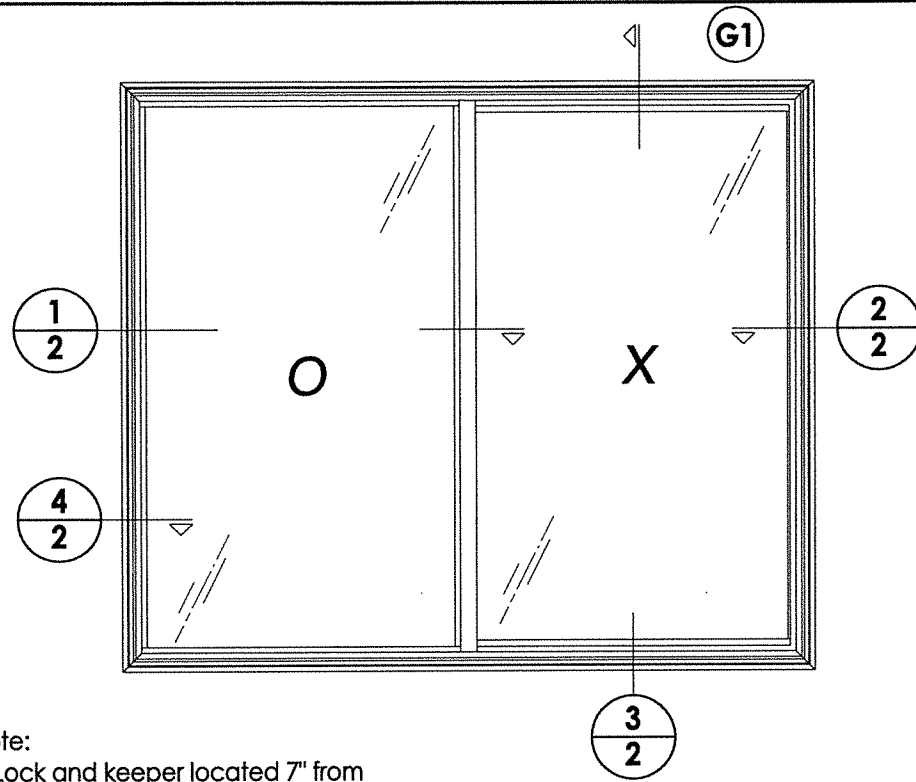




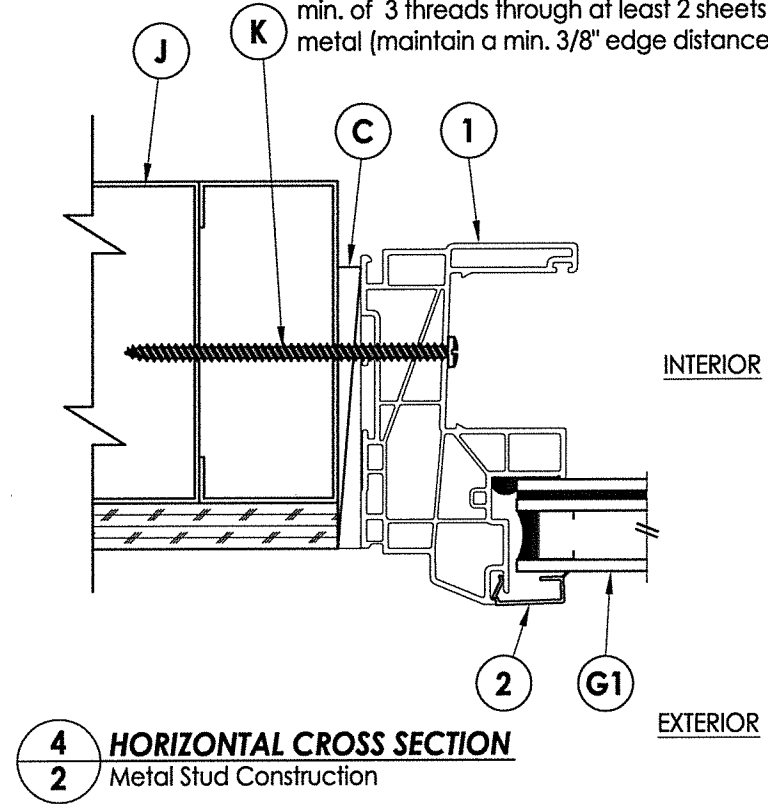
R:\Clients\Sunrise Windows\A - Florida Product Approvals\FL-26909 - 7230 Horizontal Slider Coastal Window\C - Drawings\FL-26909 (2017) New\FL 26909.dwg, 2.2



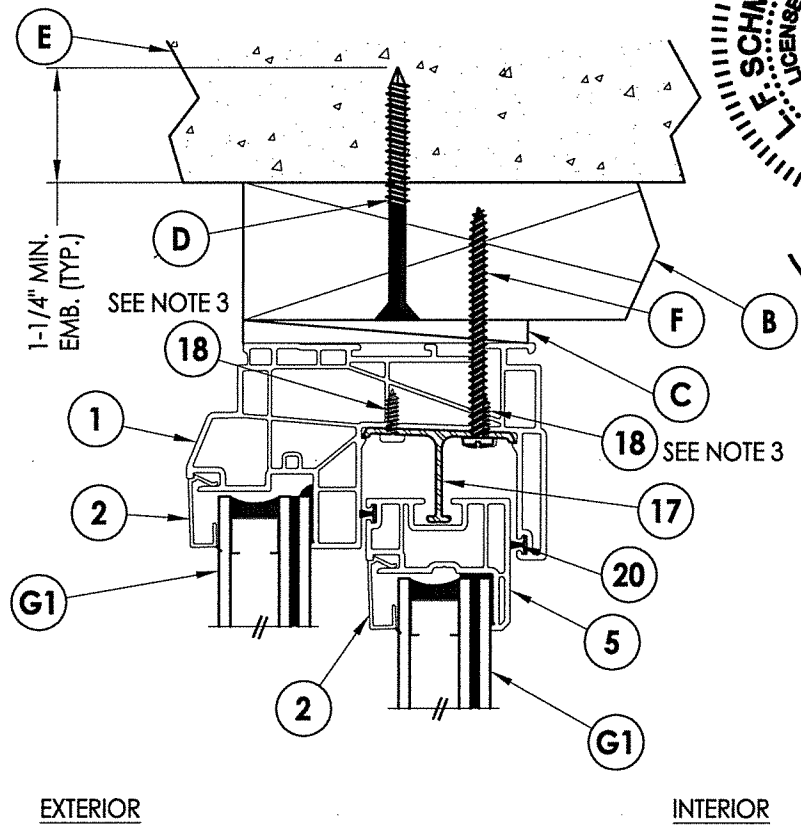
Note:

1. Lock and keeper located 7" from each end of lock/meeting stile.
2. Metal roller assembly located 2" from each end of the bottom rail.
3. Anti-lift secured to head with (6) #6 x 1/2" PPH SMS.

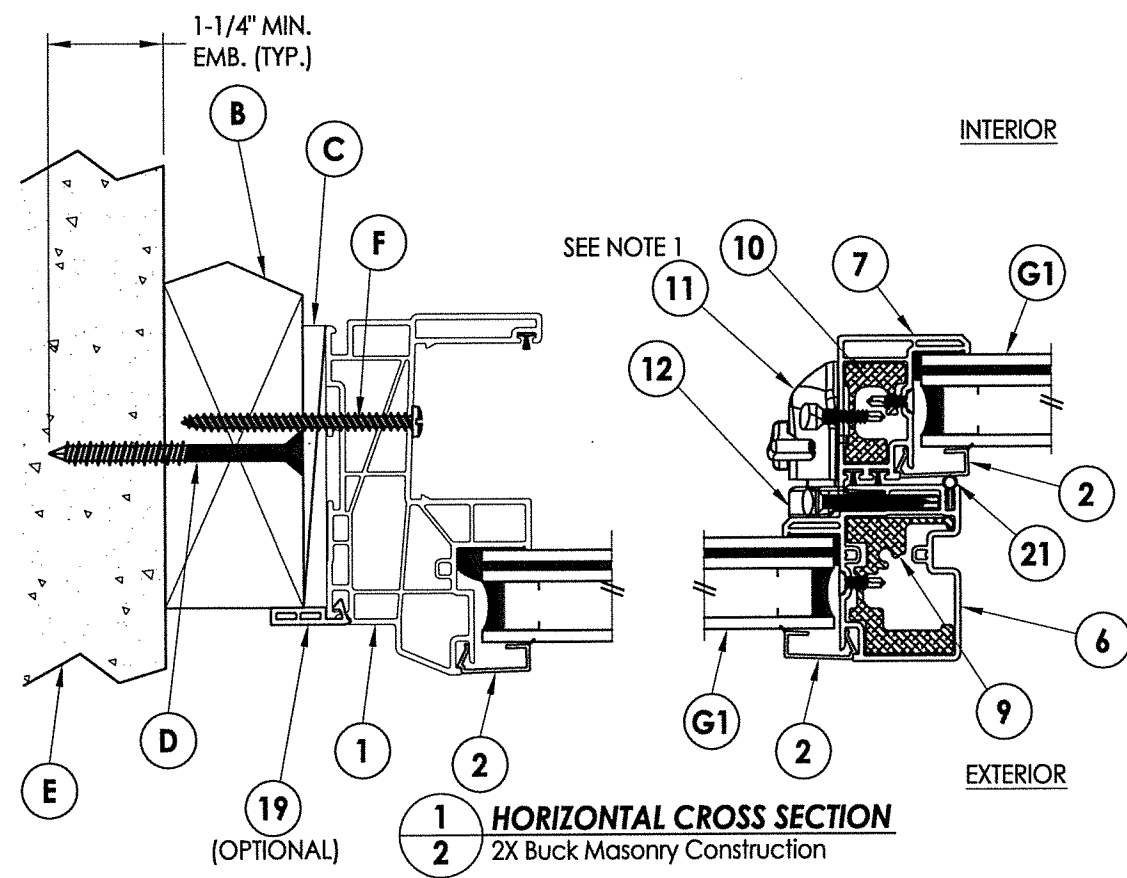
NOTE: Sheet Metal Screws must penetrate a min. of 3 threads through at least 2 sheets of metal (maintain a min. 3/8" edge distance).



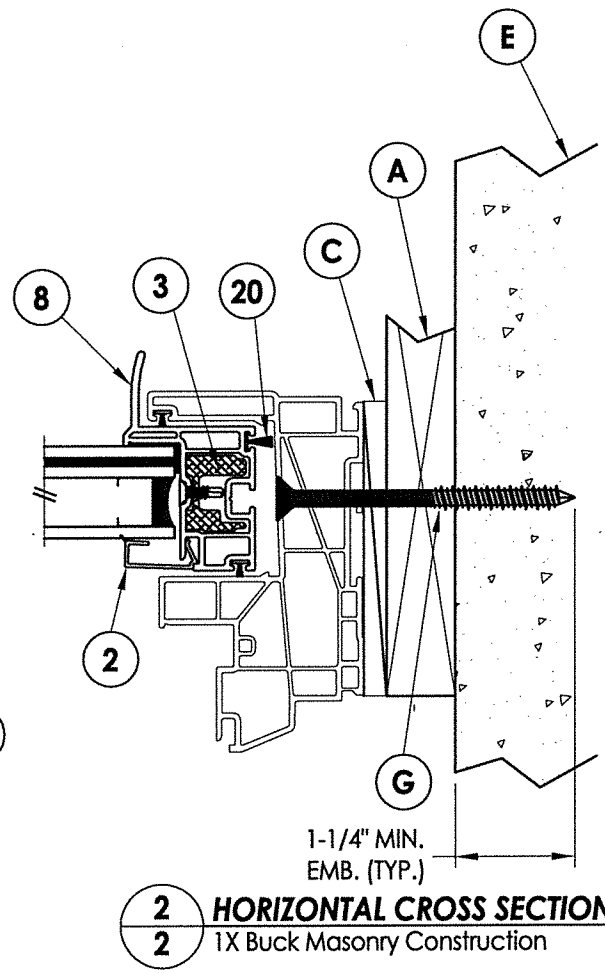
**4 HORIZONTAL CROSS SECTION**  
2 Metal Stud Construction



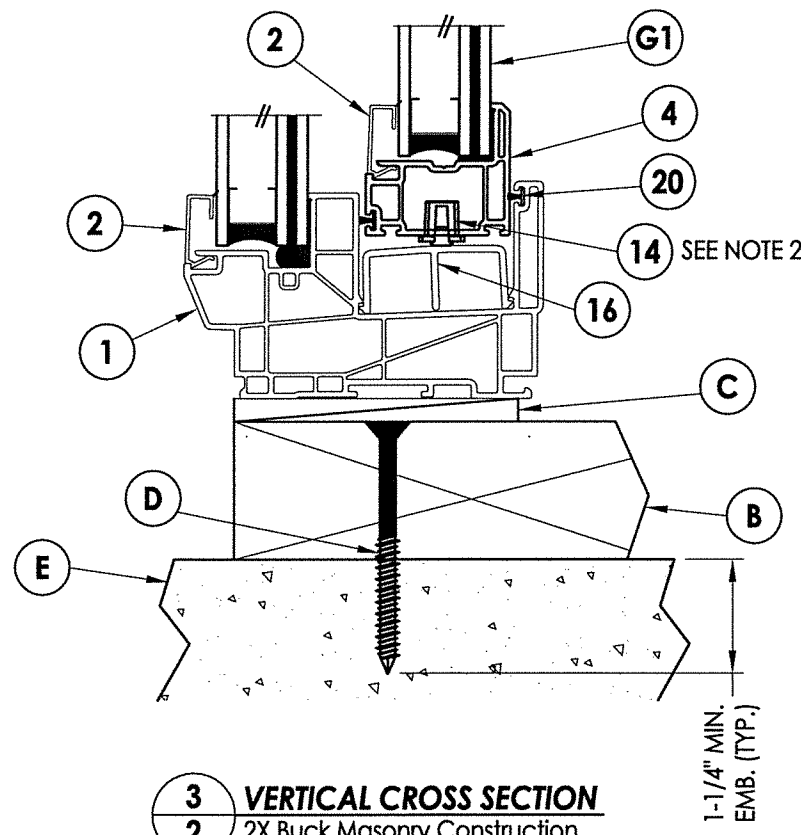
**3 VERTICAL CROSS SECTION**  
2 2X Buck Masonry Construction



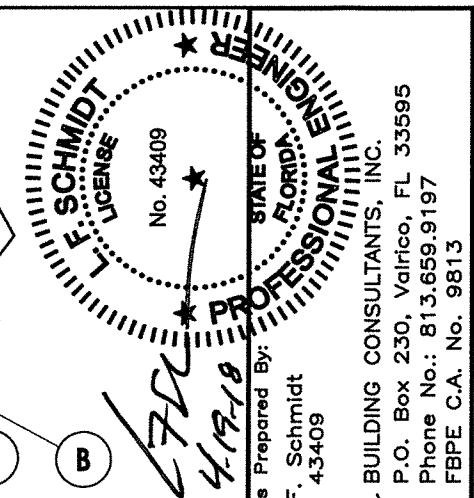
**1 HORIZONTAL CROSS SECTION**  
2 2X Buck Masonry Construction



**2 HORIZONTAL CROSS SECTION**  
2 1X Buck Masonry Construction



**3 VERTICAL CROSS SECTION**  
2 2X Buck Masonry Construction



Documents Prepared By:  
Lyndon F. Schmidt  
P.E. No. 43409

**R.W. BUILDING CONSULTANTS, INC.**  
P.O. Box 230, Valrico, FL 33595  
Phone No.: 813.659.9197  
FBPE C.A. No. 9813

PRODUCT: **SUNRISE WINDOWS**  
PART OR ASSEMBLY: **VERTICAL & HORIZONTAL CROSS SECTIONS**

NO.	DATE	BY	REVISIONS

DATE: 4/18/18  
SCALE: N.T.S.  
DWG. BY: JK  
CHK. BY: LFS  
DRAWING NO.: FL-26909.2  
SHEET 2 OF 5







